

---

 **PASTRY COUNTERS**  
instruction manual

---





## PASTRY COUNTERS INSTRUCTION MANUAL

**Dear customers! Please read this manual thoroughly before operating the equipment! Following our instructions, you will ensure long and effective performance of the equipment.**

### Content

1. General Information .....	3
2. Technical Characteristics .....	4
2.1. Additional Equipment .....	5
3. Transportation, Installation and Startup .....	7
3.1. Transportation .....	7
3.2. Requirements to the Place of Operation .....	7
3.3. Installation .....	7
3.4. Connecting Electricity and Startup .....	8
4. Operation .....	9
4.1. Light Signals on the Electronic Controller's Display .....	9
4.2. Change of Temperature Settings .....	9
4.3. Additional Defrosting .....	9
4.4. Warning Signals .....	10
4.5. Maintenance .....	10
4.5.1 Counter Cleaning .....	11
4.5.2 Air Inlet Cleaning .....	12
4.5.3 Air Guide Cleaning .....	12
4.5.4 Maintenance of the Electrical Parts .....	13
4.5.5 Maintenance of the Condenser .....	13
5. Fault identification and repair .....	14



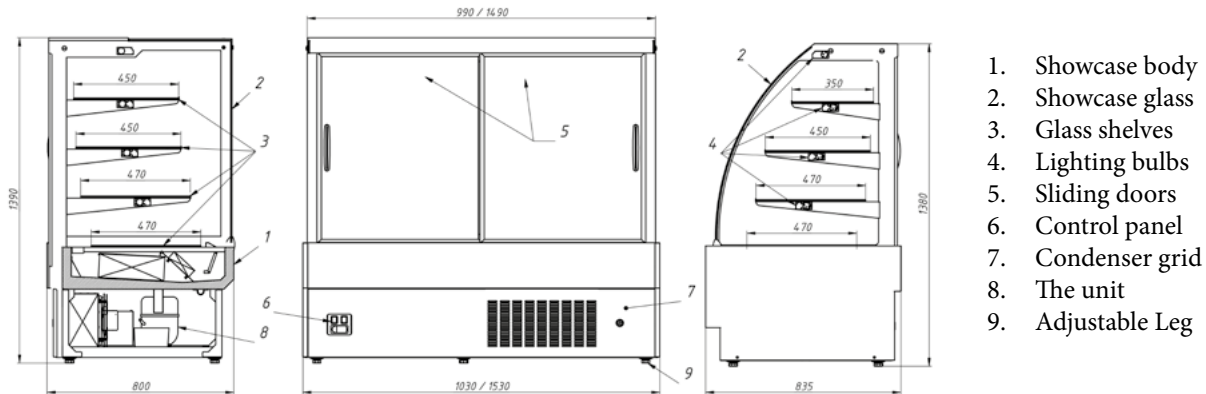
## 1. GENERAL INFORMATION

Pastry displays are designed for short-term storage, display and sale of refrigerated food. Pastry displays of VDL-Series belong to a medium temperature type of gastronomic showcases with the dynamic cooling system and comply with standards IEC 60335-2-24, IEC 61000-6-3, IEC 610006-1.

### Fluorinated greenhouse gases are in a hermetically sealed system.

Equipment can be filled with refrigerant R404a (GWP 3922) or R452a (GWP 2140). Molecular formula of refrigerant R290 - C<sub>3</sub>H<sub>8</sub>. Molecular formula of refrigerant R404a - CHF<sub>2</sub>CF<sub>3</sub>. Molecular formula of refrigerant R452a - CHF<sub>2</sub>CF<sub>3</sub>+CH<sub>2</sub>F<sub>2</sub>+C<sub>3</sub>H<sub>2</sub>F<sub>4</sub>.

### Structure components:



Picture 1. Elements of the construction

## 2. TECHNICAL CHARACTERISTICS

Technical data		VDL 108			VDL 108A			VDL 158			VDL 158A		
Length/ Depth/ Height (without decorative finishing)	mm	990/800/1380			990/800/1390			1490/800/1380			1490/800/1390		
Display Area	m <sup>2</sup>	1,62			1,69			2,41			2,56		
Net Weight without decorative finishing	kg	166			177			223			240		
Refrigerant		R452a	R404a	R290	R452a	R404a	R290	R452a	R404a	R290	R452a	R404a	R290
Refrigerant quantity	kg	0,5	0,5	0,15	0,51	0,51	0,15	0,69	0,69	0,15	0,69	0,69	0,15
CO2 EQ	t	1,07	1,96	0,00	1,09	2,00	0,00	1,48	2,71	0,00	1,48	2,71	0,00
Nominal Current Consumption	A	3,0	3,0	3,6	3,0	3,0	3,6	3,6	3,6	3,7	3,6	3,6	3,7
Rated power	kWt	0,52	0,52	0,45	0,52	0,52	0,45	0,76	0,76	0,65	0,76	0,76	0,65
Power Consumption of Lighting Bulbs	Watt	60						72					
Current Consumption (25°C)	kW/24h	9,2	9,2	6,2	9,5	9,5	6,6	11,3	11,3	9,5	11,5	11,5	9,8
Operating Temperature Range	°C	+6...+12			+4...+10			+6...+12			+4...+10		
Climate Class		3											
Ambient Temperature Range	°C	+16 ... +25											
Power Supply Voltage / Frequency	V/HZ	220-240/50											
Refrigeration Volume	dm <sup>3</sup>	582			678			867			1025		
Max. Relative Humidity	%	60											
Type of Air Movement		dynamic											
Defrosting Type		automatic											



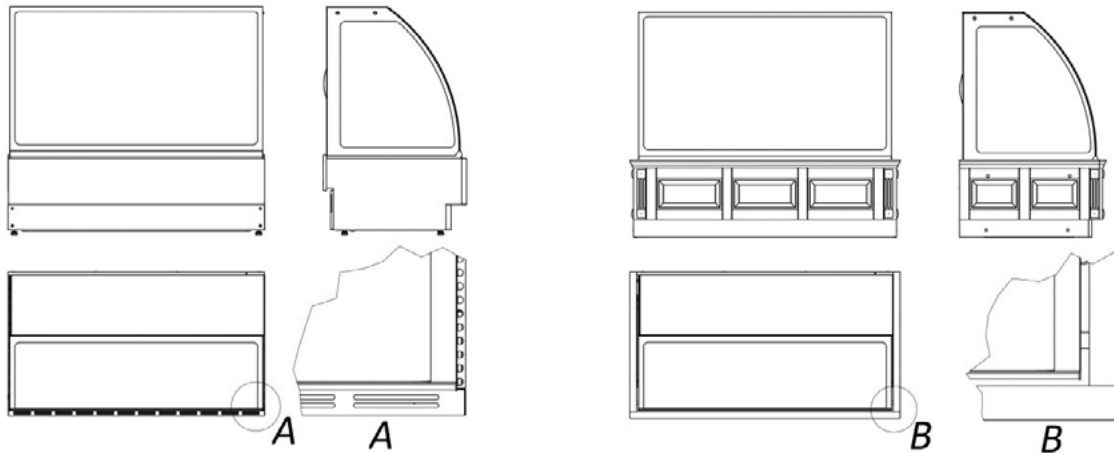
## 2.1 Additional Equipment

Pastry counter can play the role of full value interior part, and, depending on this, its appearance may vary. However, it has to be considered, that decorative elements also perform the function of extracting and redirection of warm air, which is crucial to avoid the effect of condensation on the viewing surfaces.

**ATTENTION! While in operation DO NOT cover guide openings with foreign objects!**  
**Air movement prevention cause the condensation temperature to raise, the wrong performance of the cooling system and the condensation on the front glass can appear.**

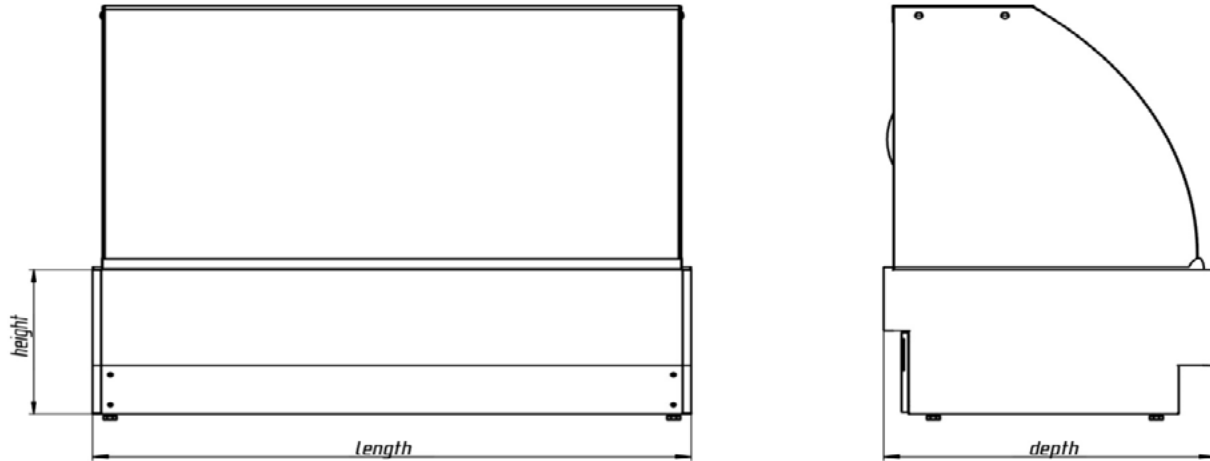
Depending on the concept of the decorative finishings, the dimensions of the showcase may vary.

**Finishing examples are given below.**



Picture 2. Showcase decoration

A.; B., - Guide of Airflow



Picture 3. Finishing overall dimensions

Model	Units	Metal panels	Chipboard panels
VDL108 / 108A	Length \ Depth \ Height (mm)	1030/835/490	1040/835/490
VDL158 / 158A	Length \ Depth \ Height (mm)	1530/835/490	1540/835/490



### 3. TRANSPORTATION, INSTALLATION AND STARTUP

#### 3.1. Transportation

It is forbidden to transport the equipment in any position other than vertical. During transportation, the equipment must be properly secured and packed.

#### 3.2. Requirements to the Place of Operation

Place of installation should have proper environmental conditions:

- Ambient temperature range should be +16°C...+25°C;
- Relative humidity inside the premises must not exceed 60%.

**ATTENTION! Failure to comply with these recommendations will lead to the wrong performance of the system and/or creating of the condensate on the glass.**

The counter should be installed away from direct sunlight or any other atmospheric phenomena. It is also necessary to install the showcase at the distance no less than 3 m away from any equipment source of heat. A dry room that can be ventilated is the suitable location for the appliance's installation. Lack of ventilation can be a reason of temperature increase inside the room during operation of the appliance.

**ATTENTION! Failure to comply with the aforementioned recommendations will lead to the rise of temperature inside the refrigerated compartment with negative consequences on operation and energy consumption.**

#### 3.3. Installation

The appliance after unpacking should be carefully installed directly in final location (in the place of further operation). There should be a good airflow around the compressor/condensing unit, guiding openings should also be free of any foreign objects.

**ATTENTION! When the access of air to the condenser is blocked, the temperature, and, as a result, the pressure in the system will increase. This may cause system malfunction and counter failure.**

After installation of the counter in the place of further operation, it is necessary to ensure its horizontal location with the help of the adjustable legs.

Rotate legs into existing leg leveler holes to the level required for horizontal installation of the pastry counter.

**ATTENTION! Failure to perform these requirements can result in increasing the noise during operation, additional vibrations, and increase in electricity consumption.**

### 3.4. Connecting Electricity and Startup

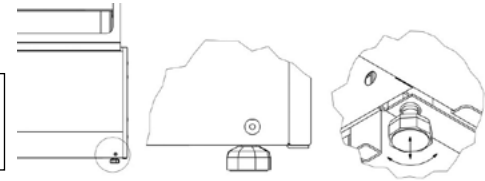
**ATTENTION! After transporting the equipment, wait for about 2 hours before its launching.**

The device should be connected to a separate, properly mounted electrical circuit with a grounding socket. The system of power supply must be maintained with automatic circuit breakers. Strongly avoid connecting through extension cords.

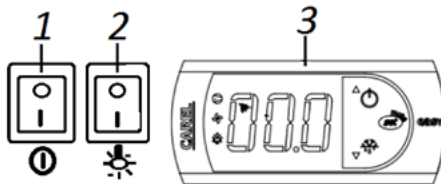
**ATTENTION! Extension cords can pose a real risk of injury, short circuit, or fire.**

Before connecting the pastry counter to the power supply, make sure that the switches on the control panel are in the O - «OFF» position. When voltage is supplied, the switches must light up (switches are equipped with light diodes, so when the voltage is supplied, they must light up).

**ATTENTION! If switches do not respond to the connection of power supply, turn off the device and contact the service centre.**



Picture 4. Showcase leveling with legs



Picture 5. Control panel.

- 1 - main switch (red colored/ turns on the unit);
- 2 - lighting switch (green colored);
- 3 - electronic controller panel.





Turn on the red switch (main switch) to the I «ON» position. A light signal will be given on the control panel. After a few minutes, the system will start to operate. A green switch turns lighting inside the pastry counter.

**ATTENTION! The first filling of the showcase should be performed after its previous cooling to working temperature. While the system is cooling to its usual operation temperature, sliding doors and front glass should be properly closed. It is allowed to use the counter only after reaching of the operation temperature inside the refrigerated compartment.**

## 4. OPERATION

### 4.1. Light Signals on the Electronic Controller`s Display:

**Diode a - compressor:** the symbol is visible during operation of the compressor. It is blinking when compressor start is delayed by security procedure.

**Diode b - fan:** the symbol is visible when the fans are on. It is blinking when the fan start is delayed by an external disengagement or when another procedure is in progress.

**Diode c - defrosting:** the symbol is visible when the defrosting function is turned on. It is blinking when defrosting start is delayed by external disengagement or when another procedure is in progress.

**Diode d - alarm:** the symbol is visible when the alarm is activated.

**Diode e - the temperature inside** the equipment is displayed.

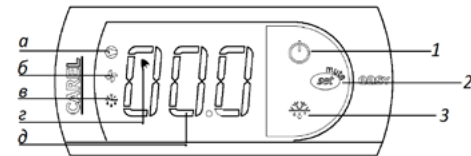
### 4.2. Setting of the Temperature

To change the settings of the temperature you have to:

- Push the button 2 - the screen will show “SET”; hold for 1 second and blinking temperature value will be displayed;
- Increase or decrease the temperature by pressing buttons 1 or 3;
- Push the button 2 again, to set a new temperature.

### 4.3. Additional Defrosting

The device operates in the mode of automatic defrosting in 8 hours interval. If you noticed incomplete defrosting, complete



Picture 6. Electronic controller

the manual defrost. If you notice an incomplete defrost, then manual defrost must be performed, by pressing button 3 and holding it for 3 seconds (a defrost symbol will appear on the display). The system will automatically finish defrosting of the evaporator and continue its operation.

#### 4.4. Warning Signals

- „E0” - malfunction of temperature sensor
- „E1” - malfunction of defrost sensor
- „cht” - warning signal indicating that condenser is dirt
- „CHt” - alarm of a dirty condenser

In case of any malfunctions, please contact your service center.

#### 4.5. Maintenance

**ATTENTION! All maintenance services should be carried out after the device is disconnected from the voltage!  
Keep the condenser clean. The buyer should periodically perform technical maintenance to avoid malfunctions and/or unsatisfying operation of counter.**

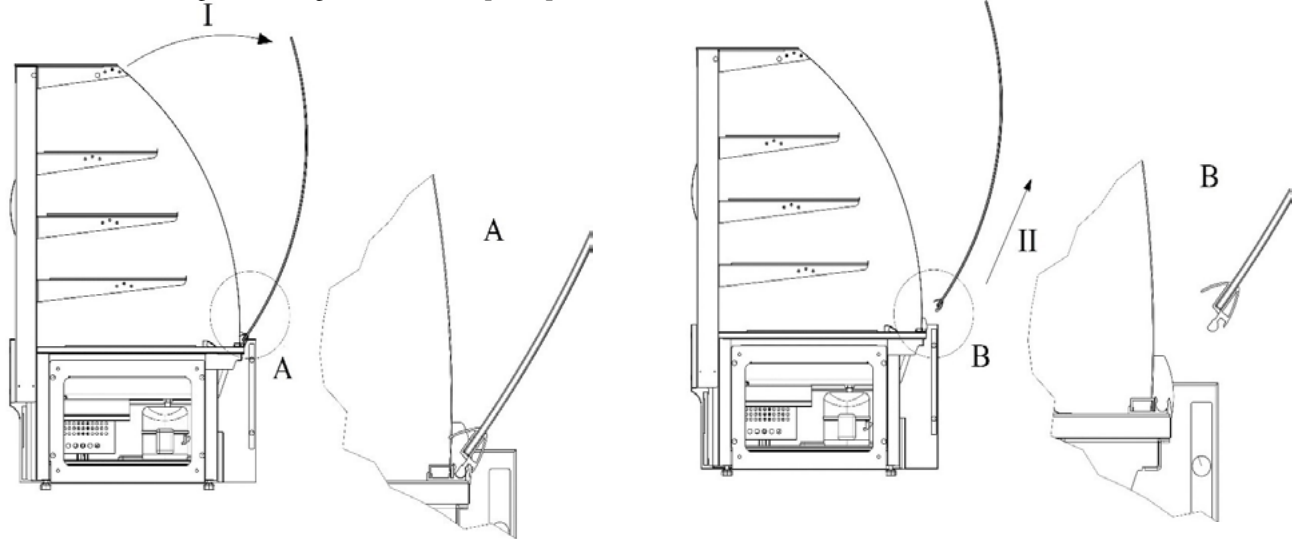


#### 4.5.1. Counter Cleaning

Cleaning of the showcase body and all its internal elements should be carried out after the device is disconnected from the voltage, using warm water with dishwashing liquid. For better access inside and for glass shelves removal, the showcase has an option of front glass removal.

- By movement «I» open the front glass. **A.**
- By movement «II» remove the front glass with guiding and fastening profile. **B.**

When installing the front glass back to its place please follow all the recommendations in reverse order.

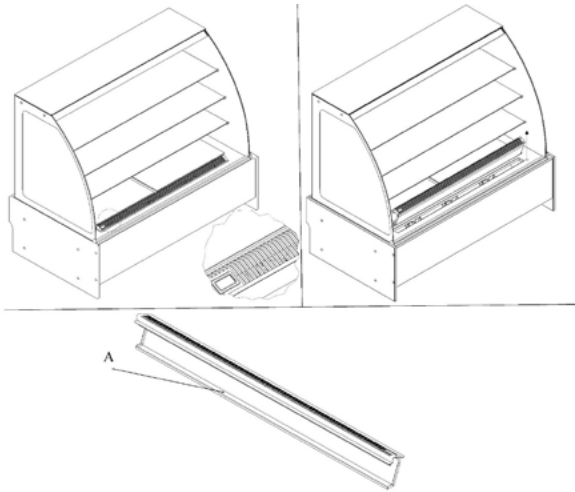


Picture 7. Removal of the front glass

#### 4.5.2. Air Inlet Cleaning

**A** – place of possible dirt location on air inlet grill.

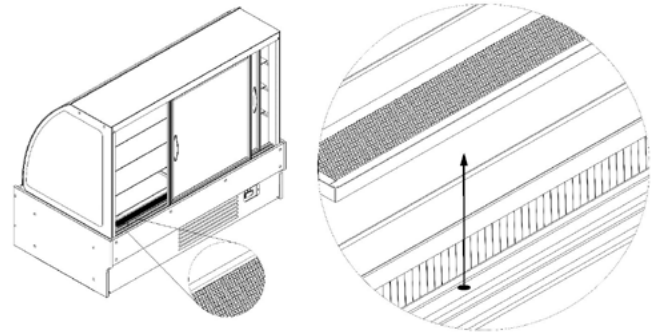
- If the air inlet grill is dirty or contains foreign parts, vertically pull the guiding grill from the body;
- Carefully remove it from the counter;
- Remove dirt and foreign parts;
- Clean the grill using water or soft brush;
- Take the grill back to its original place.



Picture 8. Removing of the air inlet grill.

#### 4.5.3. Cleaning of the Air Guide

- If the air guide is dirty, remove it from the counter body;
- Carefully take the guide out from the doors;
- Clean the air guide using water or soft brush;
- Put the air guide back to its original place.



Picture 9. Removing of the air guide



#### 4.5.4. Maintenance of the Electrical Parts

Electrical parts do not require any technical maintenance except outer inspection for damage of protective/isolation materials.

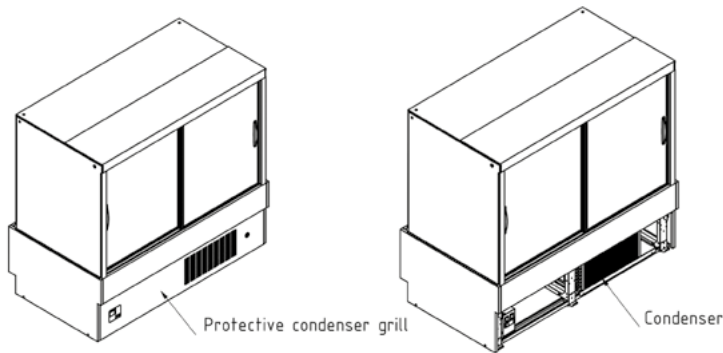
#### 4.5.5. Maintenance of the Condenser

The user should periodically check the condition of the condenser. The system does not require any special technical maintenance except periodical cleaning of the condenser.

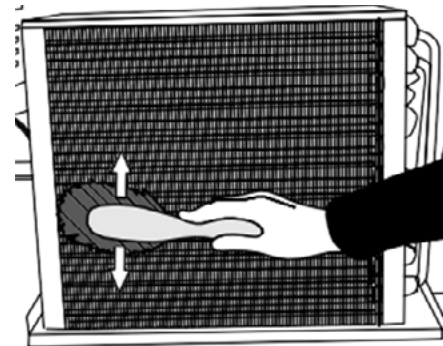
**WARNING! The condenser needs to be cleaned at least once a month.**

To do that:

- Disconnect the device from the power source;
- Remove the protective grill covering the condenser;
- Using a soft brush, clean the condenser from dust, remnants of the package, etc. (pic. 11);
- After cleaning, place the protective grill in the reverse order.



Picture 10. Removing of the protective condenser grill.



Picture11. Cleaning the condenser

The showcase is equipped with a system of automatic defrosting of the evaporator - with an interval of 8 hours. In the case of incomplete defrosting, this should be done manually (look point 4.3). The compressor is equipped with an internal backup (thermal) switch, which protects the engine from accidental overloads. If you hear unnatural, loud operation or the heavy start of the compressor, switch off the appliance, check the condition of the condenser (in case of pollution - clean it).

**WARNING! Failure to perform this service can result in a complicated starting of the compressor, the operation of the unit, the overheating of the compressor and, consequently, deterioration of the cooling efficiency. The manufacturer is not responsible for damage to the unit that arose as a result of noncompliance with the purity of the condenser!**

## 5. FAULT IDENTIFICATION AND REPAIR

In case of any problems during the startup of the equipment or its operation, it is necessary to return to those sections of the service manual that explain their operations. This aims to ensure that the device is properly operated. If you still experience difficulties, the following hints will help you solve the problem.

× **The equipment does not work**

*Make sure that:*

- The device is connected to an electrical power supply
- Voltage and frequency in the network corresponds to those recommended by the manufacturer 220 V / 50 Hz
- The main switch is turned on
- The controller is switched on

× **Water leakage under the device or into the chamber**

*Make sure that:*

- Verify the correctness of device levelling
- Verify the patency of outlet hoses
- Empty the condensate tray or container



× **Damage to the power cord**

*Make sure that:*

- In case of damage to the power cord in order to avoid danger its replacement must be carried out by a manufacturer, service department or similarly qualified personnel.

× **The device is operating, the lighting is switched off**

*Make sure that:*

- The lighting switch is on
- Fluorescent lamp or the starter of the device are not burnt

× **Equipment does not reach the appropriate temperature, the lighting is on**

*Make sure that:*

- The main switch is turned on
- The temperature setting on the controller is set correctly
- The controller is operating properly
- The condenser is not filthy, and clean it when necessary
- The ambient temperature does not exceed 25°

× **The showcase is working too loud**

*Make sure that:*

- The device is standing stably and is properly levelled
- Furniture adjoining the device do not vibrate when the compressor is working
- Internal elements have been properly
- If after verifying the items described in this section the equipment does not work properly, you should contact JUKA technical service, indicating the data from the data plate of the device.

**JUKA Technical Service:**

**phone number: +38 (097) 524 84 11**

**e-mail:service@juka.ua**

**ATTENTION!**

A warranty card is an integral part of the equipment and should always accompany the product.

This warranty is a legal obligation of the seller and the service centre to undertake the responsibility to rectify defects caused by the manufacturer free of charge during the warranty period. All warranty claims should include: model number of the unit, the serial number of the counter, proof of purchase with the date of sale and clear seller`s stamp.

***Warranty claims can be denied in these cases:***

- information about the equipment in the warranty card is not full or differs from the information, indicated on the equipment, buyer`s sign is absent;*
- wrong installation, transportation, improper use and maintenance service of a compressor by buyer (please see Instruction Manual);*
- improper usage or installation or failure to clean and/or maintain the product as outlined in the Instruction Manual;*
- any mechanical damages which could lead to improper operation or equipment failure;*
- violation of instructions recommendations during the operation of equipment or because of wrong user actions;*
- if there has been any disaster or in other standard insurance cases, which led to an inability to use the equipment (flood, fire, accident etc.) and in any other circumstances, which are not under seller`s or manufacturer`s control;*
- in cases of detecting any signs of liquids, insects or other similar problems which led to the problem of normal operation;*
- non-qualified repair or any constructive changes of the system by unauthorized persons;*
- there is no warranty responsibility for the repair or replacement of failed or damaged components resulting from the incorrect supply voltage, the use of extensions cords, low voltage, or unstable supply voltage.*

**WARRANTY DOES NOT COVER** periodical maintenance, installation, set up of the equipment, and cable change.

**Warranty does not cover standard wear parts or parts which are considered as consumables by the standards of the manufacturer, such as lamps, glass, plastic (handles etc.), rubber, locks, wheels etc.**





---

**This warranty does not narrow the buyer`s legal rights, which are determined by law.**

**Seller assumes no responsibility and will accept no claims nor any charges in connection with any repairs of a non-warranty case. Buyer must reimburse the service for labour, travel costs and other related expenses of non-warranty repairs by his own cost.**

In case the equipment no longer serves a useful purpose, it should be disposed of. The disposal of this equipment must comply with the national regulations on the disposal of waste. It is strongly recommended to contact certified recycle companies to dispose JUKA equipment in accordance with local and international regulations.

<p><b>ATTENTION! ALL OPERATIONS REGARDING TRANSPORTATION AND DISPOSAL OF WASTE SHOULD BE CARRIED OUT BY AUTHORIZED COMPANIES AND PERSONNEL.</b></p>
---

## Warranty card

Product and model \_\_\_\_\_

Date of sale \_\_\_\_\_

Serial number \_\_\_\_\_

Warranty period \_\_\_\_\_

The buyer confirms the technical serviceability of the product/

\_\_\_\_\_  
Seller's signature

\_\_\_\_\_  
Buyer's signature



tmjuka



juka\_invest



juka.ua



juka-invest



tmjuka



+3 80 412 445 755  
+3 80 67 411 05 80



[juka@juka.ua](mailto:juka@juka.ua)

Виробник має право без попереднього сповіщення змінювати технічну специфікацію і характеристики обладнання, що не погіршують його функціональність.  
Наведені ілюстрації, фото, картинки обладнання можуть відрізнятися від реальної моделі.

The Producer reserves the right to alter the functions and technical specification of their equipment. The pictures are provided on an illustrative basis for products presentation purposes only.

Producent zastrzega sobie prawo do zmiany specyfikacji technicznych i właściwości sprzętu bez uprzedzenia, co nie wpływa negatywnie na jego funkcjonalność. Podane ilustracje, zdjęcia, zdjęcia sprzętu mogą odbiegać od rzeczywistego modelu.

Производитель имеет право без предварительного уведомления изменять техническую спецификацию и характеристики оборудования, не ухудшающие его функциональность.  
Представленные иллюстрации, фото, картинка оборудования могут отличаться от реальной модели.